

# SLA

FACTORY ACTIVATED

SLA | READY TO START

REF **BT14B-4**



**12v** VOLTAGE - v

**210A** CCA - A (EN)

**12.6Ah** CAPACITY - Ah (20Hr)

**12Ah** CAPACITY - Ah (10Hr)

## TECHNOLOGY

- Designed according to AGM technology (Absorbed acid)
- VRLA battery type
- Activated and pre-charged batteries
- Homologated by OEM

## FEATURES

- AGM construction (Absorbed Glass Material)
- VRLA battery (Valve Regulated Lead Acid)
- Factory activated
- Environmentally friendly, spillproof design
- Multi-positional fitment
- Absolutely Maintenance free
- Sealed, no gas emission through venting hole (under normal operation)
- Ready & Easy to use
- No acid handling - Very safe
- Increased power & Extended life
- Extreme vibration resistance

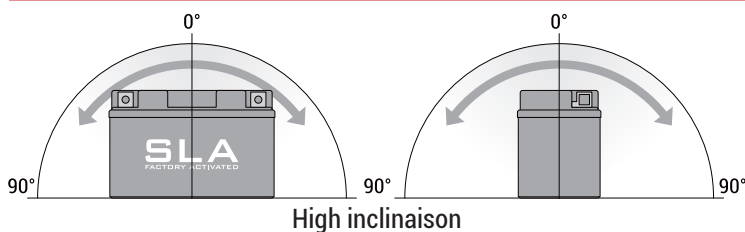
## UPGRADE FOR

MF BT14B-BS

## WEIGHT

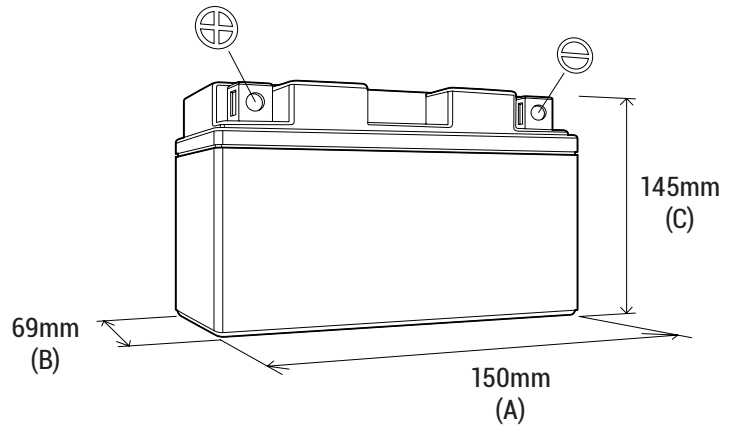
Battery (with acid): Approx 4.16kg

## MOUNTING ANGLE



## DIMENSIONS

|                   |            |
|-------------------|------------|
| Length (A):       | 150mm ±2mm |
| Width (B):        | 69mm ±2mm  |
| Container height: | 145mm ±2mm |
| Total height (C): | 145mm ±2mm |



## TERMINALS (mm)

