

# SLA

FACTORY ACTIVATED

SLA | READY TO START

## REF BTX6.5L



**12V** VOLTAGE - V

**85A** CCA - A (EN)

**6.8Ah** CAPACITY - Ah (20Hr)

**6.5Ah** CAPACITY - Ah (10Hr)

### TECHNOLOGY

- Designed according to AGM technology (Absorbed acid)
- VRLA battery type
- Activated and pre-charged batteries
- Homologated by OEM

### FEATURES

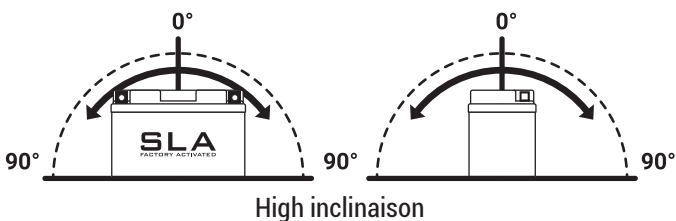
- AGM construction (Absorbed Glass Material)
- VRLA battery (Valve Regulated Lead Acid)
- Factory activated
- Environmentally friendly, spillproof design
- Multi-positional fitment
- Absolutely Maintenance free
- Sealed, no gas emission through venting hole (under normal operation)
- Ready & Easy to use
- No acid handling - Very safe
- Increased power & Extended life
- Extreme vibration resistance

### UPGRADE FOR

### WEIGHT

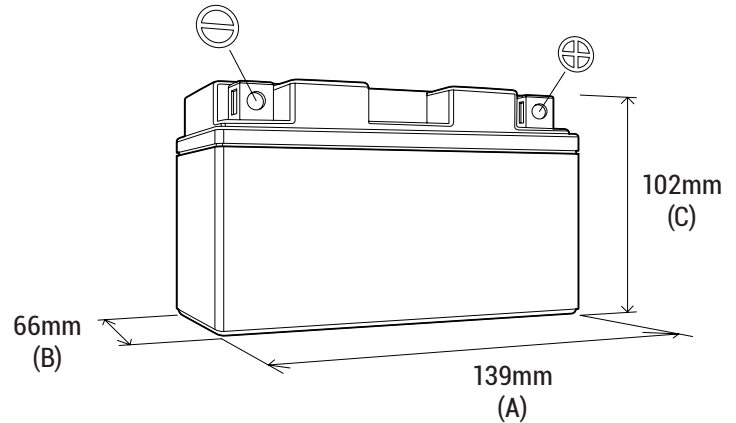
Battery (with acid): Approx 2.33kg

### MOUNTING ANGLE



### DIMENSIONS

Length (A): 139mm ±2mm  
 Width (B): 66mm ±2mm  
 Container height: 102mm ±2mm  
 Total height (C): 102mm ±2mm



### TERMINALS (mm)

