



SLA

FACTORY ACTIVATED

SLA | READY TO START

REF BB12A-A/B



12v VOLTAGE - v

150A CCA - A

12.6Ah CAPACITY - Ah (20Hr)

12Ah CAPACITY - Ah (10Hr)

TECHNOLOGY

- Designed according to AGM technology (Absorbed acid)
- VRLA battery type
- Activated and pre-charged batteries
- Homologated by OEM

FEATURES

- AGM construction (Absorbed Glass Material)
- VRLA battery (Valve Regulated Lead Acid)
- Factory activated
- Environmentally friendly, spillproof design
- Multi-positional fitment
- Absolutely Maintenance free
- Sealed, no gas emission through venting hole (under normal operation)
- Ready & Easy to use
- No acid handling - Very safe
- Increased power & Extended life
- Extreme vibration resistance

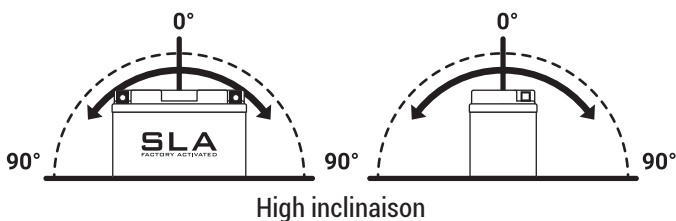
UPGRADE FOR

12N12A-4A-1 ; BB12A-A ; BB12A-B

WEIGHT

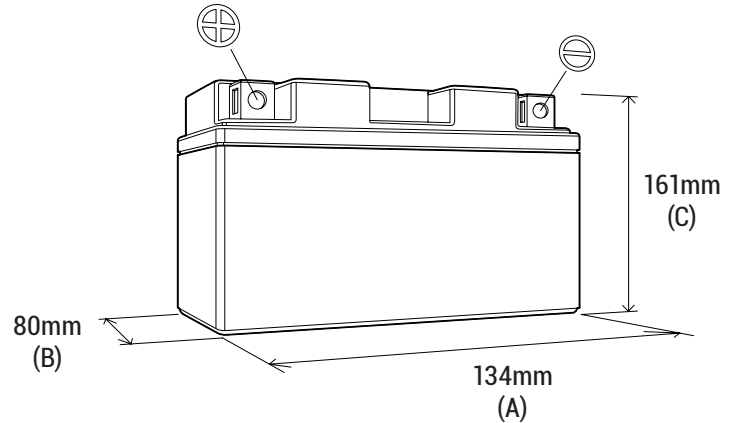
Battery (with acid): Approx 4.20kg

MOUNTING ANGLE



DIMENSIONS

Length (A): 134mm ±2mm
 Width (B): 80mm ±2mm
 Container height: 161mm ±2mm
 Total height (C): 161mm ±2mm



TERMINALS (mm)

