



● Thank you for purchasing the Formula 1 style mirror set. Before the installation, please read the instruction sheet carefully.

⚠ ATTENTION

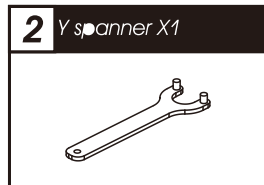
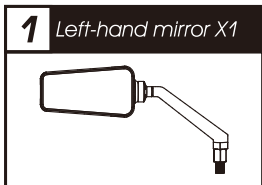
- To install the mirrors, please follow the steps as described in the manual. Not following the directions voids warranty.
- Correct tools must be used for installation.
- Do not modify any parts unless specifically stated in the INSTRUCTIONS manual.

○ Symbol note:

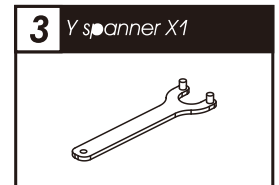
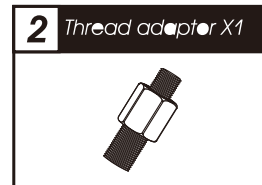
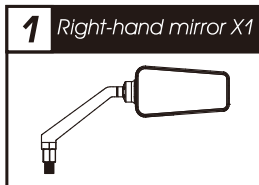
Note Read this information carefully, it will help you to understand essential steps

⚠ Follow these INSTRUCTIONS accurately to avoid possible damage.

1-1 ACCESSORIES LIST FOR LEFT-HAND MIRROR ONLY

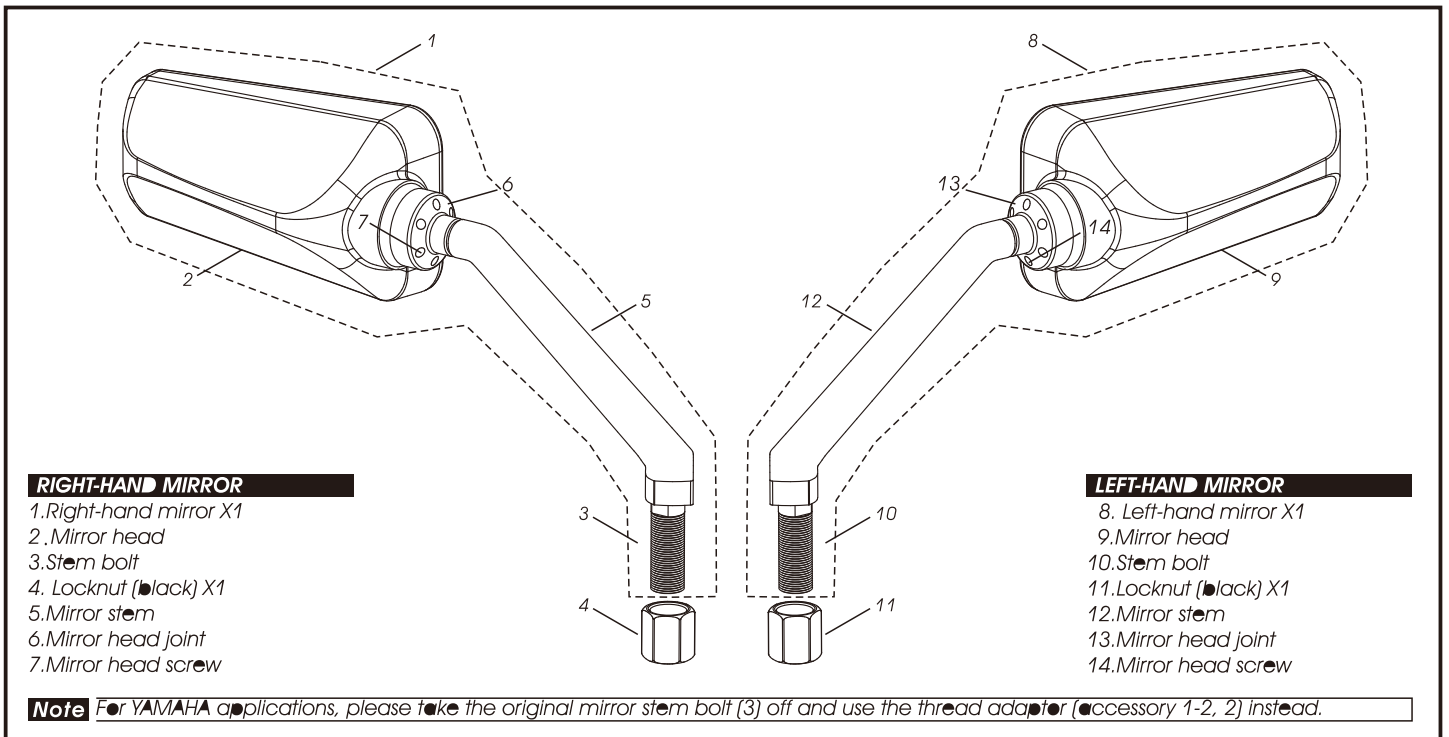


1-2 ACCESSORIES LIST FOR RIGHT-HAND MIRROR ONLY

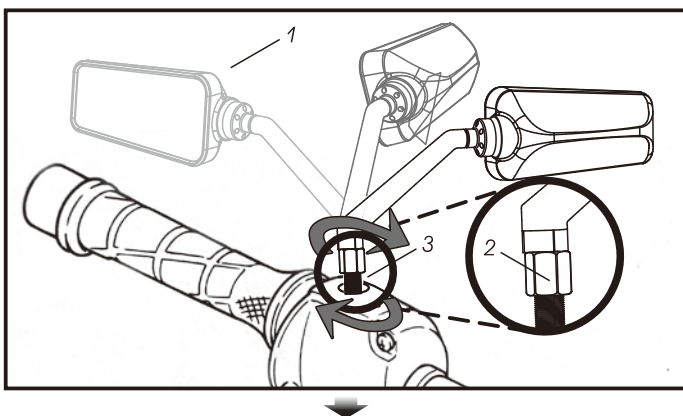


Note Please make sure that all of the aforementioned accessories are included when you open the kit.

2 PARTS LIST



3 INSTALLATION INSTRUCTIONS



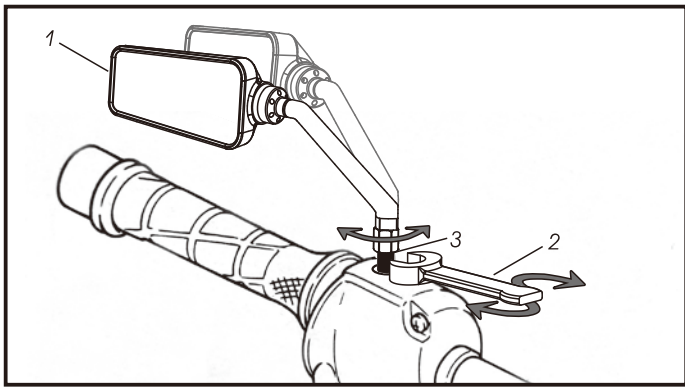
1. MIRROR INSTALLATION

Note For Yamaha applications: The left-hand mirror is always with right-hand thread. Turn the mirror clockwise to lock it into the mirror base. The right-hand mirror is always with left-hand thread. Turn the mirror counter-clockwise to lock it into the mirror base.

1. Left-hand mirror X1
2. Locknut
3. Left-hand mirror base

⚠ Screw the locknut (2) to the top of the stem thread. Turn the left-hand mirror (1) clockwise to screw it into the mirror base (3).

⚠ Install the other mirror in the same way.

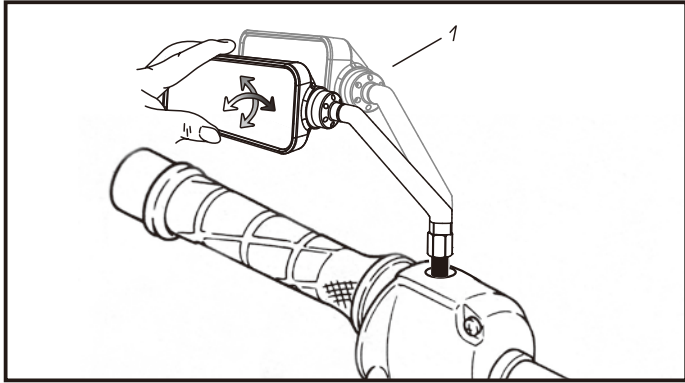


2. LOCKING THE MIRROR

1. Left-hand mirror X1
2. M14-spanner
3. Locknut

⚠ Position the mirror (1) as required, then hold it in place and turn the locknut (3) clockwise using the M14-spanner (2) to lock the mirror.

⚠ Adjust the other mirror in the same way.



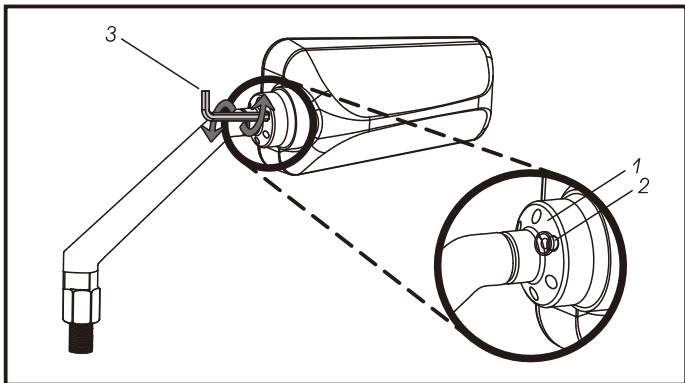
3. MIRROR HEAD ANGLE ADJUSTMENT

1. Left mirror head joint

⚠ Adjust the mirror head angle as required.

⚠ Adjust the other mirror in the same way.

4 MAINTENANCE INSTRUCTIONS

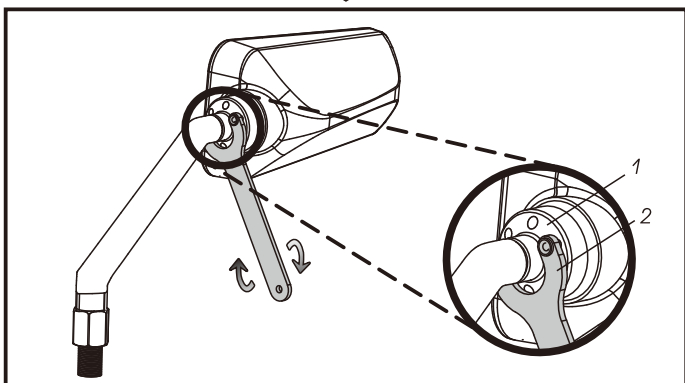


1. LOOSEN MIRROR HEAD SCREW

Note The mirror head connection will slacken after a while and will then need to be readjusted.

1. Mirror head adjuster plate
2. Mirror head screw
3. M3-wrench

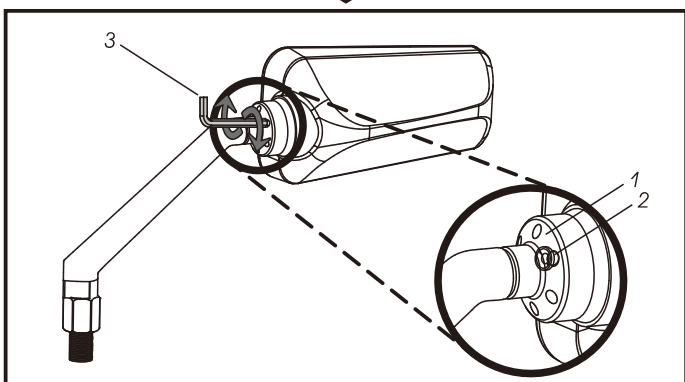
⚠ Turn the mirror head screw (2) counter-clockwise with the M3-wrench (3) to loosen it.



2. TIGHTEN MIRROR HEAD ADJUSTER PLATE

1. Mirror head adjuster plate
2. Y spanner

⚠ Turn the mirror head adjuster plate (1) clockwise with the Y spanner (2) to tighten it as required.



3. TIGHTEN MIRROR HEAD SCREW

1. Mirror head adjuster plate
2. Mirror head screw
3. M3-wrench

⚠ Turn the mirror head screw (2) clockwise with the M3-wrench (3) to tighten it.