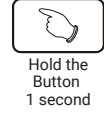
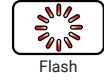




Thank you for purchasing our product. Before installing/operating the product, read the instructions carefully and retain them for future reference.

**⚠ Attention!**

- For installation, follow the steps described. Any damage caused by wrong installation shall be imputed to the users.
- To avoid a short circuit from occurring do not pull or modify the wires during installation.
- Do not disassemble or change any parts. Opening and disassembling this unit will void any warranty.
- Maintenance and repairs should be executed by our professionals only.



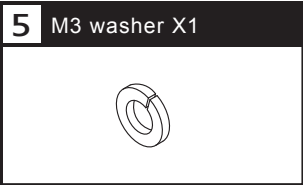
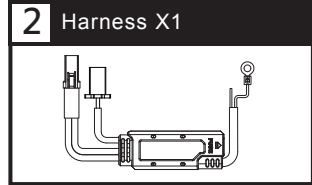
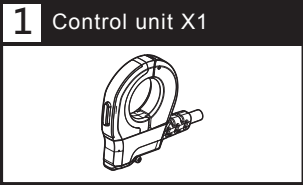
**Symbol description:**

**NOTE**

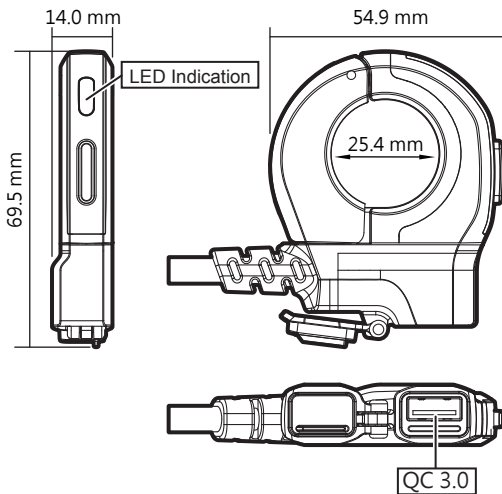
⚠ Some procedures must be followed to avoid damages to the product.

⚠ **WARNING!** Certain procedure must be followed to avoid damages to yourself, to the vehicle or to others.

**1 Accessories**



**2 Installation of function**

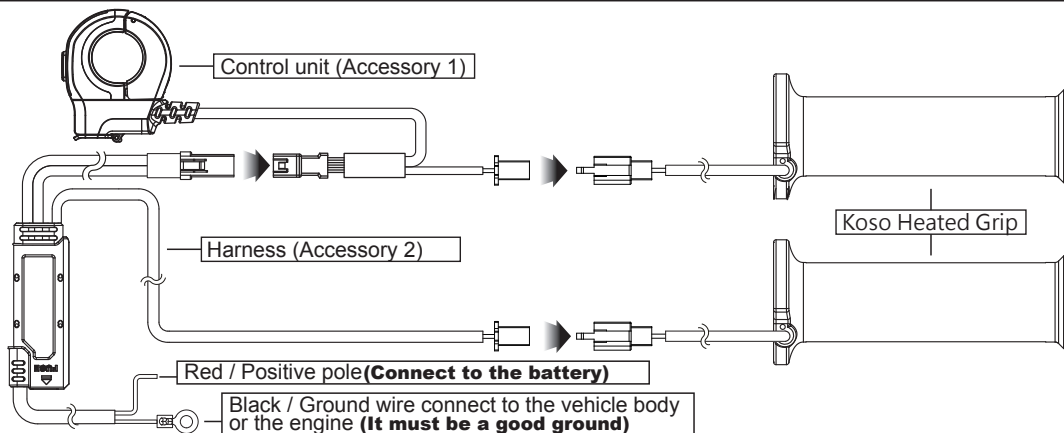


• Heating stage	Stage 1 (low) ~ Stage 5 (high)
• Fuse type	7.5A (ASP)
• Light Signal	<span style="color: blue;">■</span> Stage 1 [Blue] <span style="color: green;">■</span> Stage 2 [Green] <span style="color: yellow;">■</span> Stage 3 [Yellow] <span style="color: orange;">■</span> Stage 4 [Orange] <span style="color: red;">■</span> Stage 5 [Red]
• USB Working Voltage	Voltage Range : DC 10 ~ 16 V Output specifications : DC 5V/3A DC 9V/2A (When input power is over 10.5V) 12V/1.5A (When input power is over 13.5V) Charging protocols : APPLE 2.4A · QC 4+ · AFC · FCP · SCP · PE 2.0/1.1
• Effective temperature range	-10 ~ 60 °C
• IP Level	JIS D 0203
• Size	69.5 X 14.0 X 54.9 mm
• Weight	± 39g

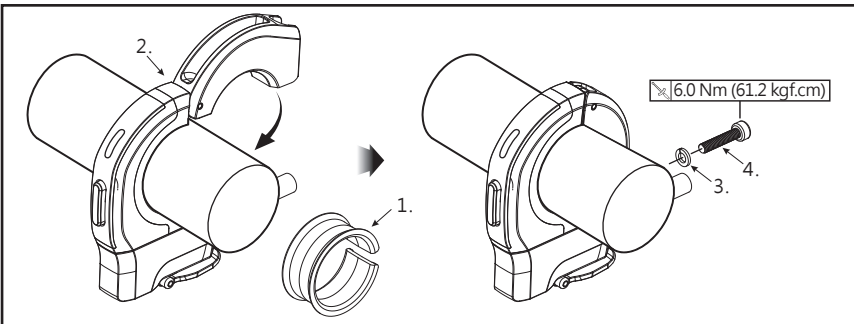
⚠ **Warning!** When raining, do not charge any device and close the cap.

**NOTE** Design and specifications are subject to change without notice.

**3 Wiring installation instructions**



## 4 Installation instructions



Follow the steps below during installation.

1. 7/8" Rubber insert (Accessory 3)
2. Control unit (Accessory 1)
3. M3 washer X1 (Accessory 5)
4. M3 Allen screw X1 (Accessory 4) 6.0 Nm (61.2 kgf.cm)

**NOTE** (Accessory 3) Determine the diameter of handlebar to decide to install or not.

**Warning!** Adjust the angle to avoid interfering with the button when installing.

## 5 Heating Function Instruction

- Key-On: White Color Light Up Once
- Short Press: Enter Level 1

**NOTE** When no button is pressed, it will enter into turn-off mode which means no heating and no LED.

- Level 1:  
Heating Output - 20%  
Color of Light - Blue
- Short Press: Enter Level 2

- Level 2:  
Heating Output - 40%  
Color of Light - Green
- Short Press: Enter Level 3

- Level 3:  
Heating Output - 60%  
Color of Light - Yellow
- Short Press: Enter Level 4

- Level 4:  
Heating Output - 80%  
Color of Light - Orange
- Short Press: Enter Level 5

- Level 5:  
Heating Output - 100%  
Color of Light - Red
- Short Press: Turn-Off

**NOTE** Press and hold the button for 3 seconds could turn-off the heated grips in any level.

**NOTE** These heated grips have a memory function which means no matter if the grips were shut down at any level for more than 3 seconds and restart, they will restore at the same level.

## 6 Low Battery Warning Instructions

- Low Battery Warning Activate Condition : When voltage lower than 11.5 V and more than 5 seconds.
- Heating Output : Turn-Off
- Indicator : Purple Light Flashing
- Short Press During Warning : Temporary deactivate the warning.
- Short Press During Turn-Off : Purple light flashing 3 times and turn-off.

**NOTE** Condition to Restore Normal Status : Detected voltage higher than 13 V and more than 5 seconds.

## 7 Caution

- Do not bend the in-line control unit or it might cause the unit to brake.

## 8 Troubleshooting

The following situation do not indicate malfunction of the product. Check the following before taking it in for repair.

Trouble	Check item	Trouble	Check item
Not charging or Indicator light not functioning.	<ul style="list-style-type: none"> <li>● There might be no power supplied.</li> <li>→ Make sure the wires are connected.</li> <li>→ Make sure the positive/negative poles are properly connected.</li> <li>→ Battery malfunction or battery voltage lower than 10 V.</li> <li>→ Check the wires of product and device.</li> </ul>	When the key is turned on, the heated grip is not heating up.	<ul style="list-style-type: none"> <li>● It might be the battery is running out.</li> <li>→ Check your battery voltage as soon as possible.</li> <li>● It might be caused by no power supply.</li> <li>→ Check if power harness and fuse are broken or disconnected.</li> <li>→ Check if positive pole and negative pole are well connected.</li> </ul>

※ If the problems still cannot be solved, contact our technical department for assistance.