

SLA

FACTORY ACTIVATED

SLA | READY TO START

REF BB16AL-A2



12v VOLTAGE - v

160A CCA - A (EN)

16.8Ah CAPACITY - Ah (20Hr)

16Ah CAPACITY - Ah (10Hr)

TECHNOLOGY

- Designed according to AGM technology (Absorbed acid)
- VRLA battery type
- Activated and pre-charged batteries
- Homologated by OEM

FEATURES

- AGM construction (Absorbed Glass Material)
- VRLA battery (Valve Regulated Lead Acid)
- Factory activated
- Environmentally friendly, spillproof design
- Multi-positional fitment
- Absolutely Maintenance free
- Sealed, no gas emission through venting hole (under normal operation)
- Ready & Easy to use
- No acid handling - Very safe
- Increased power & Extended life
- Extreme vibration resistance

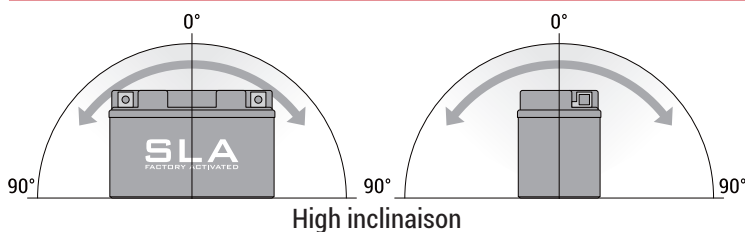
UPGRADE FOR

DRY BB16AL-A2

WEIGHT

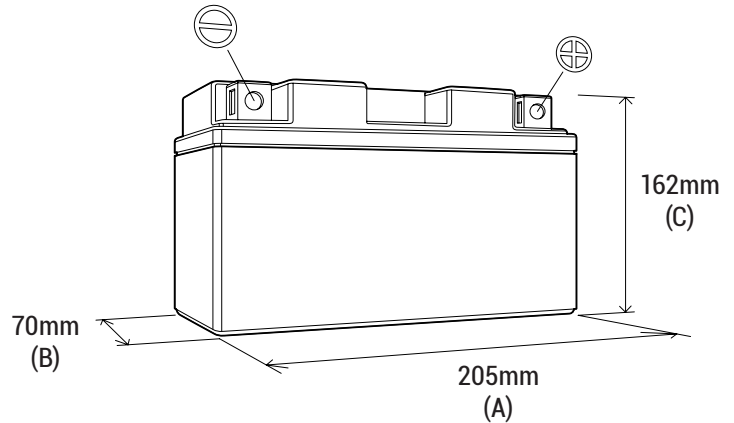
Battery (with acid): Approx 5.79kg

MOUNTING ANGLE

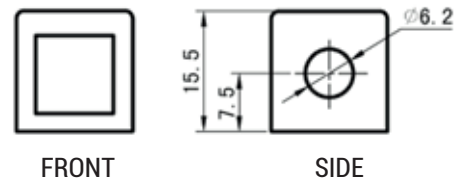


DIMENSIONS

Length (A): 205mm ±2mm
 Width (B): 70mm ±2mm
 Container height: 162mm ±2mm
 Total height (C): 162mm ±2mm

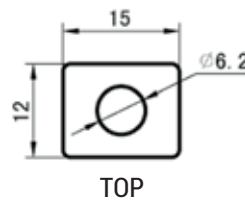


TERMINALS (mm)



FRONT

SIDE



TOP