

SLA

FACTORY ACTIVATED

SLA | READY TO START

BTX14AHL

REF BB14L-A2/B2



12V VOLTAGE - v

210A CCA - A (EN)

14.7Ah CAPACITY - Ah (20Hr)

14Ah CAPACITY - Ah (10Hr)

TECHNOLOGY

- Designed according to AGM technology (Absorbed acid)
- VRLA battery type
- Activated and pre-charged batteries
- Homologated by OEM

FEATURES

- AGM construction (Absorbed Glass Material)
- VRLA battery (Valve Regulated Lead Acid)
- Factory activated
- Environmentally friendly, spillproof design
- Multi-positional fitment
- Absolutely Maintenance free
- Sealed, no gas emission through venting hole (under normal operation)
- Ready & Easy to use
- No acid handling - Very safe
- Increased power & Extended life
- Extreme vibration resistance

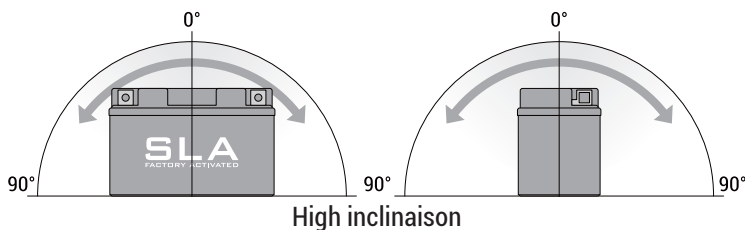
UPGRADE FOR

DRY BB14L-A2 ; 12N14-3A ; BB14L-B2
MF BTX14AHL-BS

WEIGHT

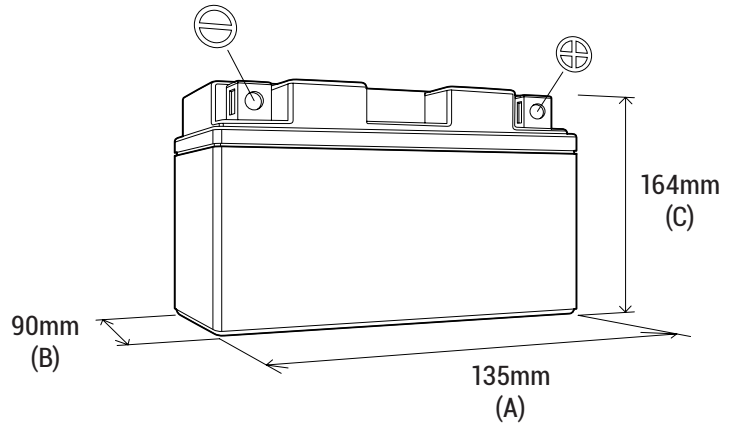
Battery (with acid): Approx 4.40kg

MOUNTING ANGLE



DIMENSIONS

Length (A): 135mm ±2mm
Width (B): 90mm ±2mm
Container height: 164mm ±2mm
Total height (C): 164mm ±2mm



TERMINALS (mm)

