

# SLA

FACTORY ACTIVATED

SLA | READY TO START

REF **B38-6A**



6v

VOLTAGE - v

105A

CCA - A

13.7Ah

CAPACITY - Ah (20Hr)

13Ah

CAPACITY - Ah (10Hr)

## TECHNOLOGY

- Designed according to AGM technology (Absorbed acid)
- VRLA battery type
- Activated and pre-charged batteries
- Homologated by OEM

## FEATURES

- AGM construction (Absorbed Glass Material)
- VRLA battery (Valve Regulated Lead Acid)
- Factory activated
- Environmentally friendly, spillproof design
- Multi-positional fitment
- Absolutely Maintenance free
- Sealed, no gas emission through venting hole (under normal operation)
- Ready & Easy to use
- No acid handling - Very safe
- Increased power & Extended life
- Extreme vibration resistance

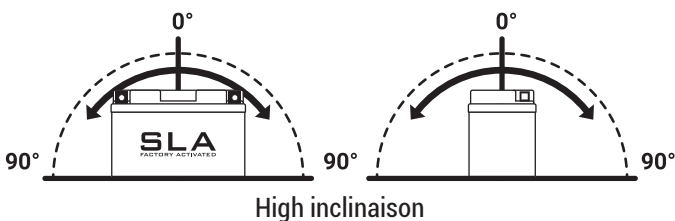
## UPGRADE FOR

DRY B38-6A

## WEIGHT

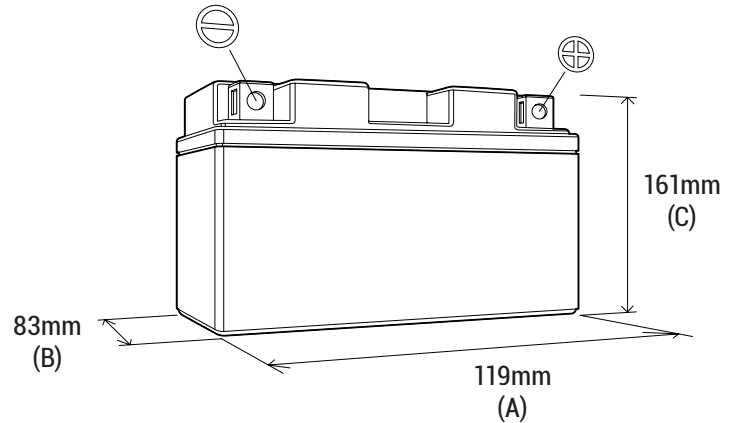
Battery (with acid): Approx 2.35kg

## MOUNTING ANGLE

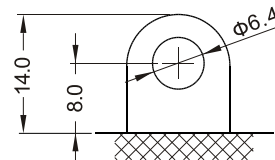


## DIMENSIONS

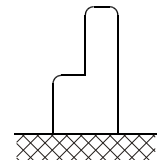
Length (A):	119mm ±2mm
Width (B):	83mm ±2mm
Container height:	161mm ±2mm
Total height (C):	161mm ±2mm



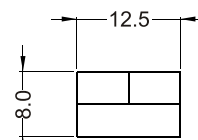
## TERMINALS (mm)



FRONT



SIDE



TOP