

# SLA<sup>MAX</sup>

FACTORY ACTIVATED

SLA MAX | PREMIUM QUALITY READY TO START

REF **BTX14AH**



**12V** VOLTAGE - V

**240A** CCA - A (EN)

**13.7Ah** CAPACITY - Ah (20Hr)

**13Ah** CAPACITY - Ah (10Hr)

## TECHNOLOGY

- AGM construction (Absorbed Glass Material)
- VRLA battery (Valve Regulated Lead Acid)
- Activated and pre-charged batteries
- Homologated by OEM

## FEATURES

- Factory activated : Ready-to-start battery
- Totally sealed
- Safe & Environmentally friendly
- Superior capacity
- Increased power & Extended life
- Low discharge rate
- Absolutely maintenance free
- Sealed, no gas emission through venting hole (under normal operation)
- Extreme vibration resistance
- Spillproof design
- Multi-positional fitment
- No acid handling - Very safe

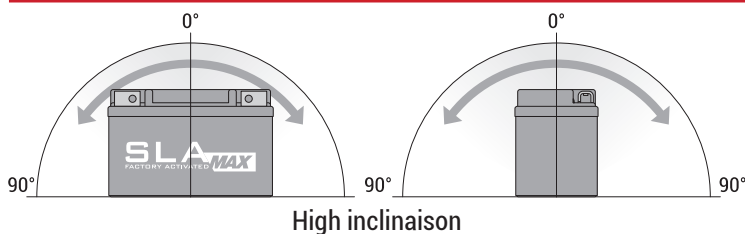
## UPGRADE FOR

**DRY** BB14-A2 ; 12N14-4A ; BB14-B2  
**MF** BTX14AH-BS  
**SLA** BTX14AH/BB14-A2/B2

## WEIGHT

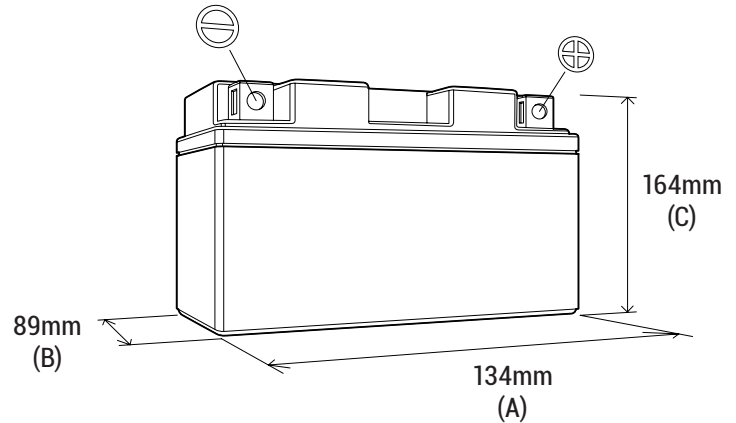
Battery (with acid): approx 5.10kg

## MOUNTING ANGLE



## DIMENSIONS

Length (A):	134mm ±2mm
Width (B):	89mm ±2mm
Container height:	164mm ±2mm
Total height (C):	164mm ±2mm



## TERMINALS (mm)

