

## SLA<sup>MAX</sup>

FACTORY ACTIVATED

SLA MAX | PREMIUM QUALITY READY TO START

REF **BTX14H**



**12V** VOLTAGE - V

**220A** CCA - A (EN)

**14.7Ah** CAPACITY - Ah (20Hr)

**14Ah** CAPACITY - Ah (10Hr)

### TECHNOLOGY

- AGM construction (Absorbed Glass Material)
- VRLA battery (Valve Regulated Lead Acid)
- Activated and pre-charged batteries
- Homologated by OEM

### FEATURES

- Factory activated : Ready-to-start battery
- Totally sealed
- Safe & Environmentally friendly
- Superior capacity
- Increased power & Extended life
- Low discharge rate
- Absolutely maintenance free
- Sealed, no gas emission through venting hole (under normal operation)
- Extreme vibration resistance
- Spillproof design
- Multi-positional fitment
- No acid handling - Very safe

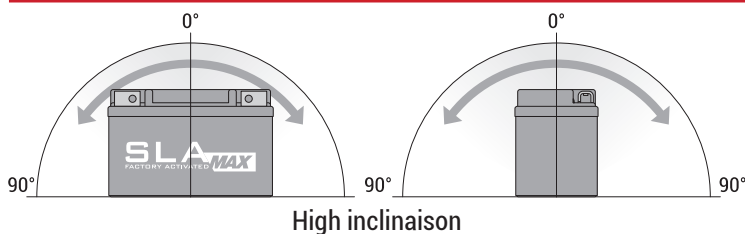
### UPGRADE FOR

MF BTX14-BS  
SLA BTX14

### WEIGHT

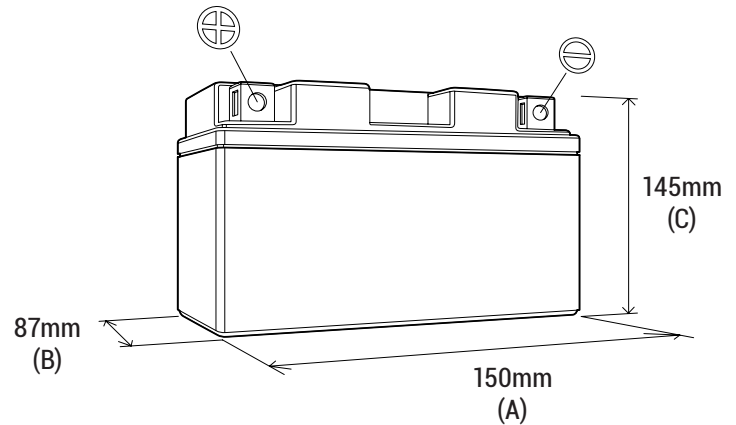
Battery (with acid): approx 4.8kg

### MOUNTING ANGLE

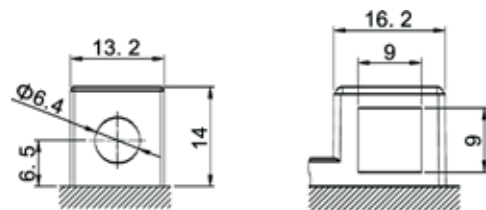


### DIMENSIONS

Length (A): 150mm ±2mm  
Width (B): 87mm ±2mm  
Container height: 145mm ±2mm  
Total height (C): 145mm ±2mm

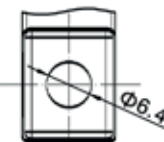


### TERMINALS (mm)



FRONT

SIDE



TOP