

SLA

FACTORY ACTIVATED

SLA | READY TO START

REF **53030**



12v VOLTAGE - v

300A CCA - A (EN)

31.6Ah CAPACITY - Ah (20Hr)

30Ah CAPACITY - Ah (10Hr)

TECHNOLOGY

- Designed according to AGM technology (Absorbed acid)
- VRLA battery type
- Activated and pre-charged batteries
- Homologated by OEM

FEATURES

- AGM construction (Absorbed Glass Material)
- VRLA battery (Valve Regulated Lead Acid)
- Factory activated
- Environmentally friendly, spillproof design
- Multi-positional fitment
- Absolutely Maintenance free
- Sealed, no gas emission through venting hole (under normal operation)
- Ready & Easy to use
- No acid handling - Very safe
- Increased power & Extended life
- Extreme vibration resistance

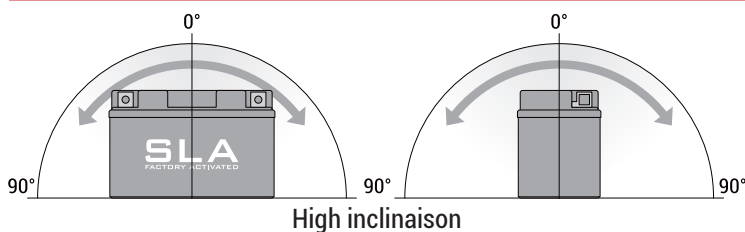
UPGRADE FOR

DRY 53030

WEIGHT

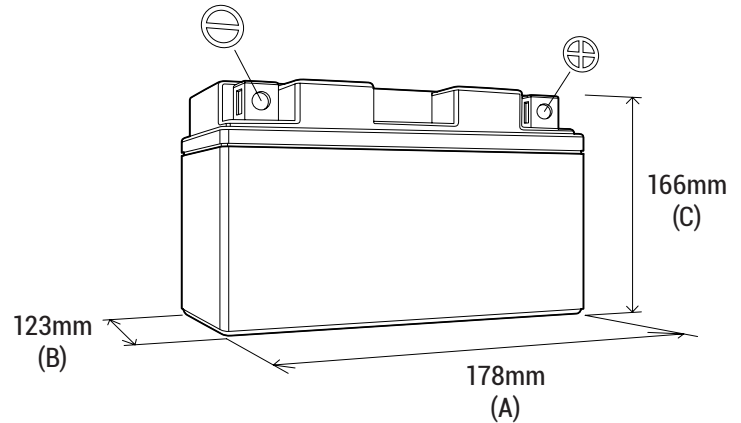
Battery (with acid): Approx 8.52kg

MOUNTING ANGLE



DIMENSIONS

| | |
|-------------------|------------|
| Length (A): | 178mm ±2mm |
| Width (B): | 123mm ±2mm |
| Container height: | 166mm ±2mm |
| Total height (C): | 166mm ±2mm |



TERMINALS (mm)

